

产品及应用/products applications

- ◆ 具有 dv/dt 抑制效果
- ◆ 较好的传导滤波器效果
- ◆ 可替代大部分进口原装滤波器
- ◆ 为伺服、变频器及干扰特别严重的场合设计

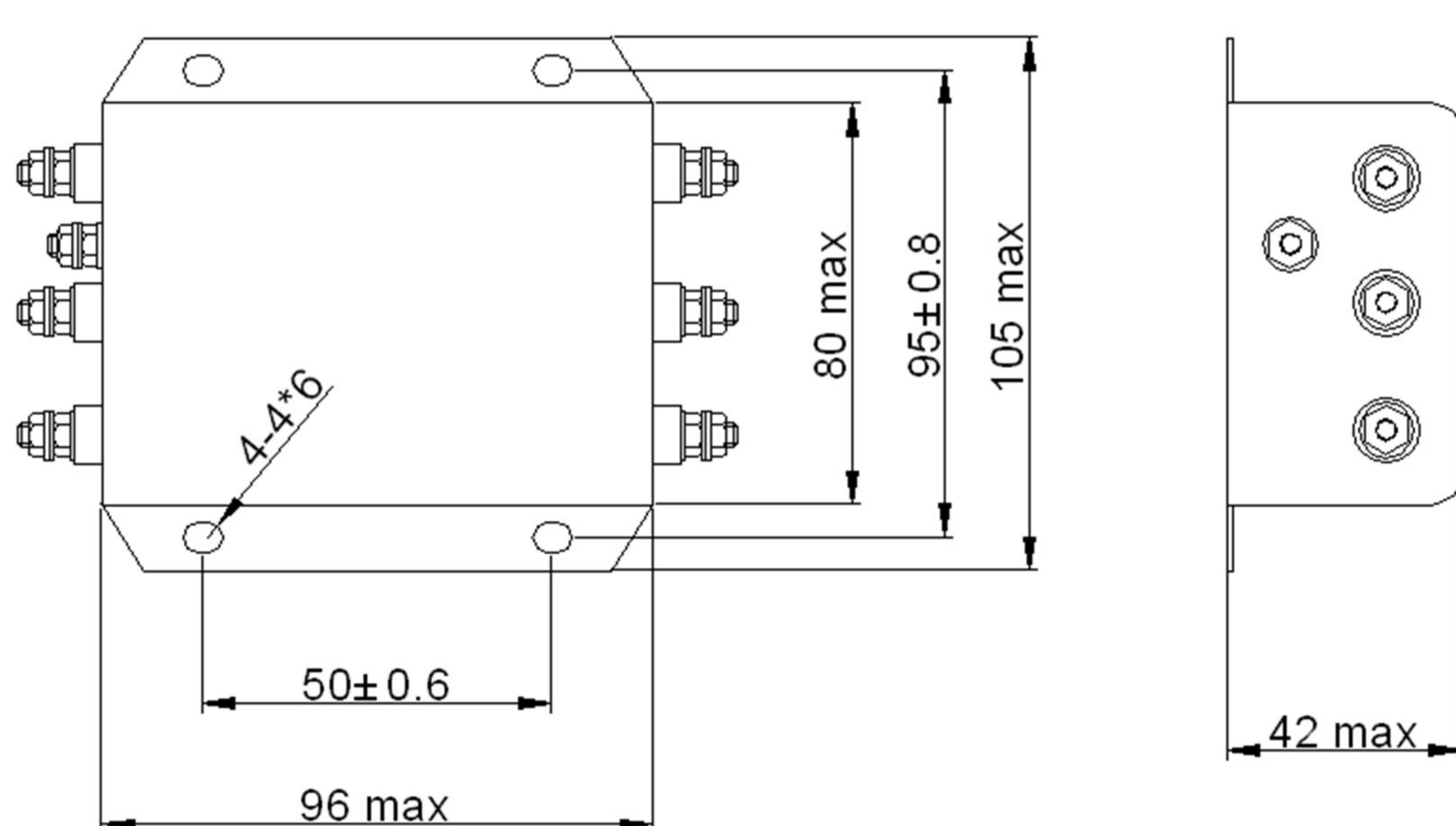


技术参数/Specification

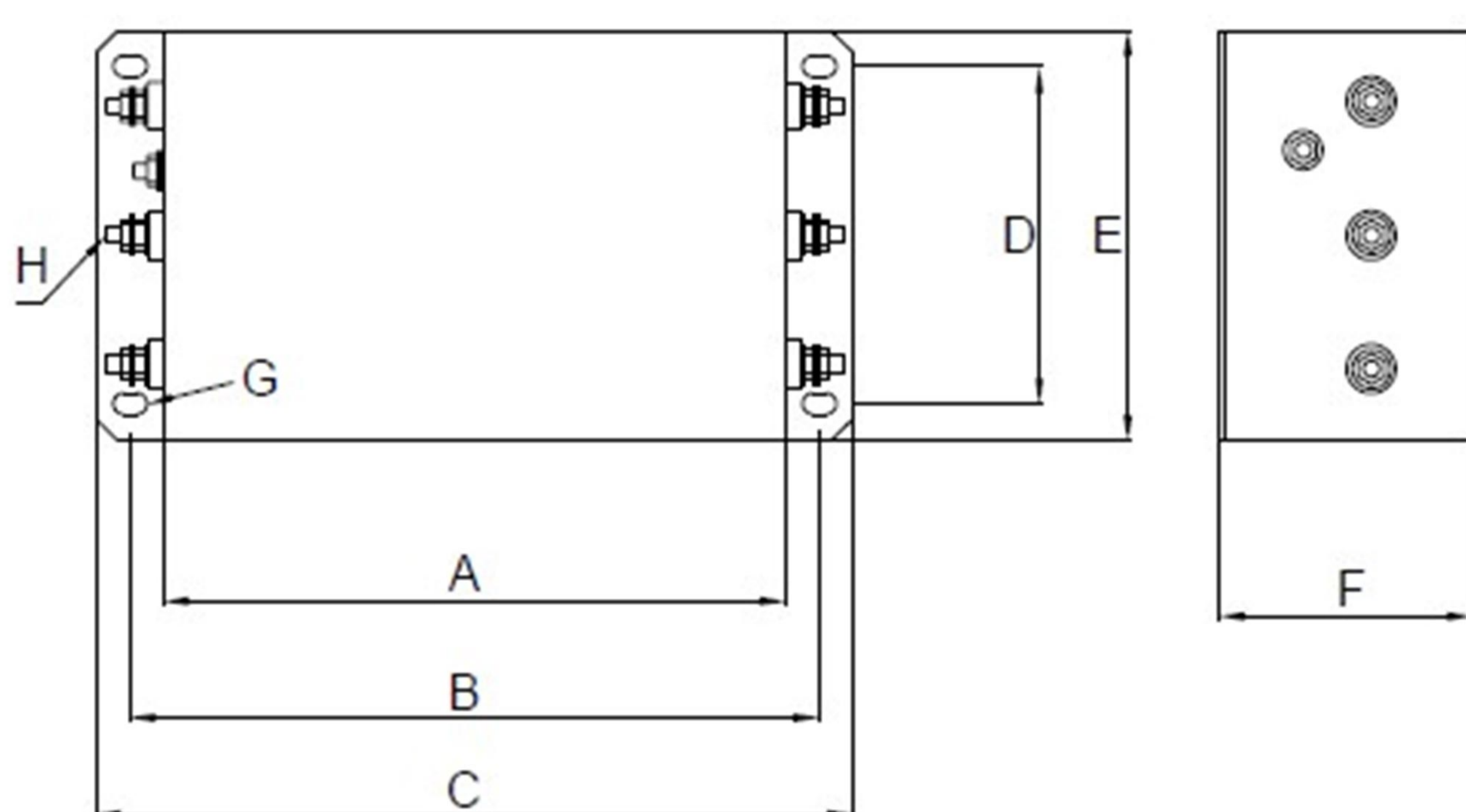
最高工作电压 (VAC)	工作频率 Operating frequency Hz	试验电压 Hipot test voltage		工作温度 Operating temperature	绝缘电阻 Minimum insulation resistance
		P-N(VDC)	PN-E(VDC)		
520	50/60	2250	2700	-25~+85°C	>200M @500VDC

输出 滤波器	端接方式 Connections		额定电流 Current rating (@40°C) A	外形尺寸 Housing	电路参数 Components Cy(nF)	变频器功率 Inverter power (KW)
						
ME965-5	---	M4	5A	E	220	0.75/1.5
ME965-8	---	M4	8A	E	220	2.2/3.7
ME965-10	---	M4	10A	E	220	4
ME965-16	---	M4	16A	E	220	5.5/7.5
ME965-20	---	M4	20A	E	220	8
ME965-30	---	M6	30A	N2	470	11/15
ME965-45	---	M6	45A	N5	470	18.5/22
ME965-60	---	M6	60A	N10	1000	25/28
ME965-75	---	M8	75A	N10	1000	30/37
ME965-100	---	M8	100A	N10	1000	45
ME965-120	---	M8	120A	N10	1000	55
ME965-150	---	M10	150A	N12	2200	75
ME965-200	---	M10	200A	N12	2200	90
ME965-250	---	M10	250A	N12	2200	110
ME965-300	Bar	---	300A	N24	2200	125/132/150
ME965-420	Bar	---	420A	N24	2200	160/210/220
ME965-500	Bar	---	500A	N24	2200	250/260
ME965-630	Bar	---	630A	N24	2200	280/315
ME965-800	Bar	---	800A	N30	2200	400
ME965-1000	Bar	---	1000A	N30	2200	500
ME965-1100	Bar	---	1100A	N30	2200	550
ME965-1200	Bar	---	1200A	N100	2200	600
ME965-1600	Bar	---	1600A	N100	2200	700

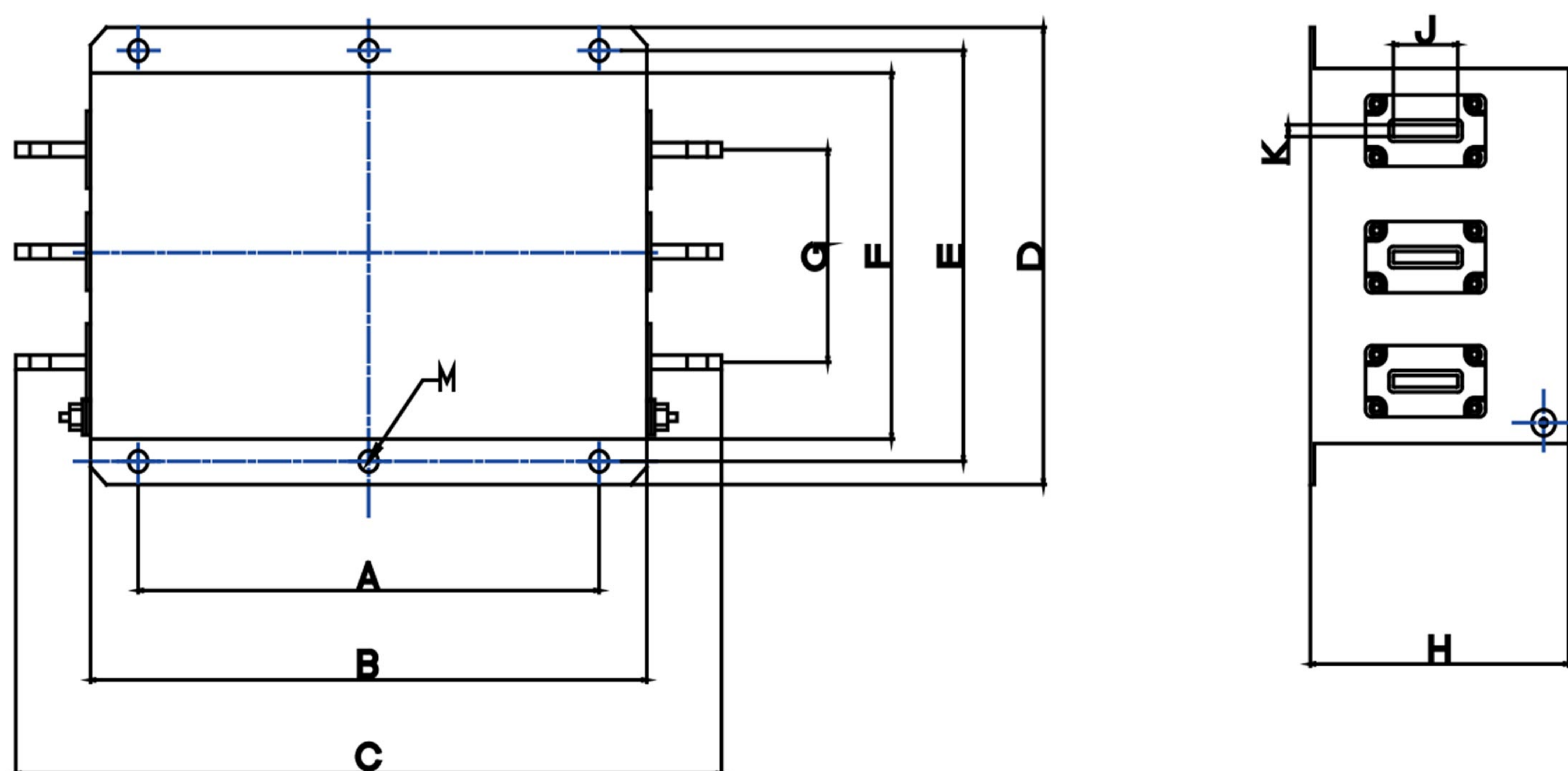
外型尺寸/Housing and dimensions: (mm)



E



	A	B	C	D	E	F	G	H
N2	110	125±1.0	140	70±0.5	93	56	5.3*7	M4
N5	150	168±1.5	186	85±0.5	108	60	6.4*9	M6
N10	200	220±1.5	240	100±1.0	125	80	6.4*9	M6
N12	260	286±2.5	314	140±1.0	175	107	8.8*14	M8
N15	300	326±3.0	354	150±1.5	185	185	8.8*14	M10



	A	B	C	D	E	F	G	H	M
N24	170±1.0	240	320	190	165±1.0	140	90	125	Φ12.5
N30	240±2.0	300	435	260	235±2.0	210	120	135	Φ10
N100	290±2.0	350	485	256	230±2.0	210	120	162	Φ10